

# Contemporary Acrylic Smartphone Stand

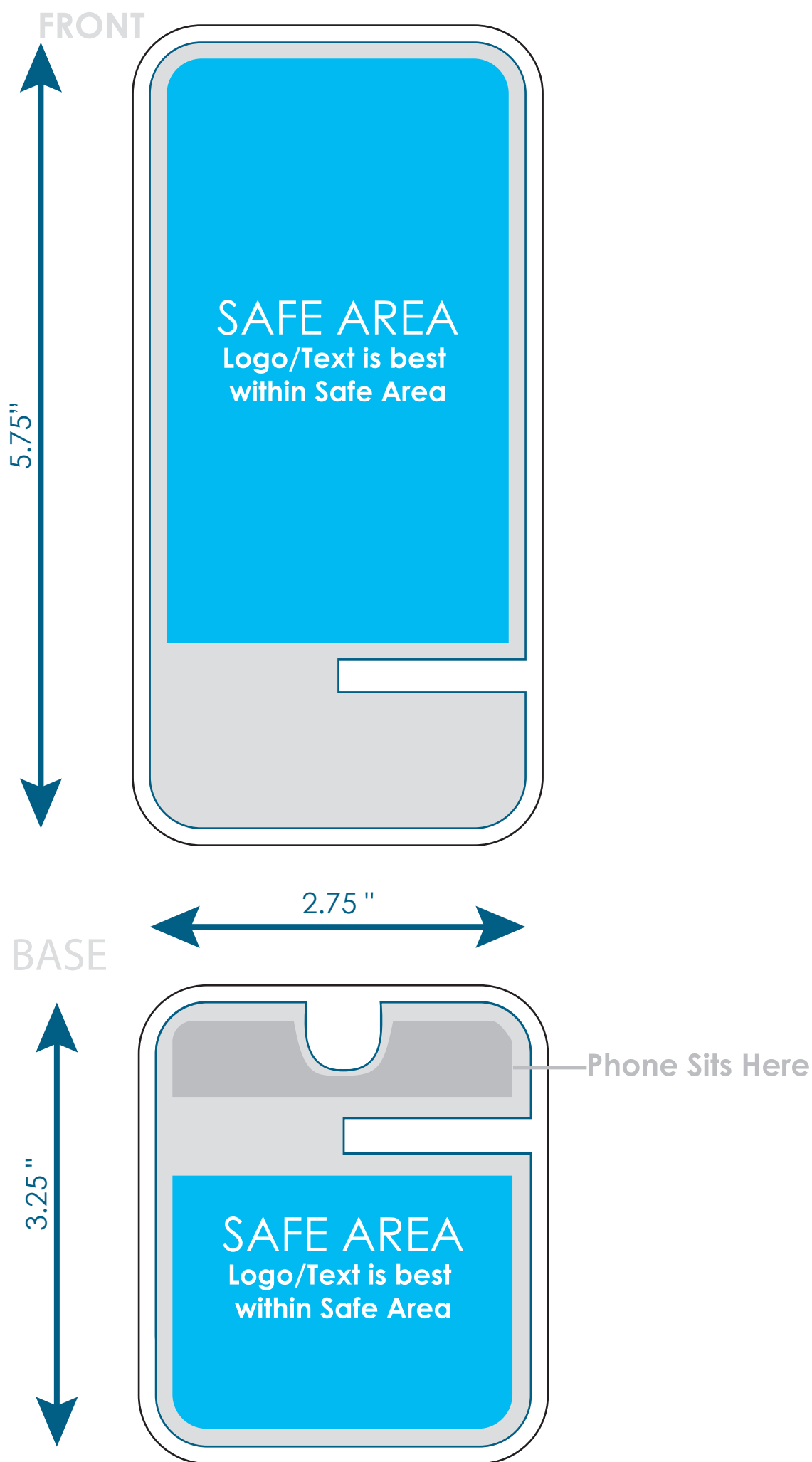
TTA045

**Finished Assembled Product Size:** 2.75"x4.5"x3" (WxHxD)

**Individual Piece Size:** Front: 2.75"x5.75" (WxH)  
Base: 2.75"x3.25" (WxH)

**Imprint size:** Front: 3"x6" (WxH)  
Base: 3"x3.5" (WxH)

**Safe Area Size:** Front: 2.48"x4.26" (WxH)  
Base Back: 2.48"x1.85" (WxH)



## Important Product Notices

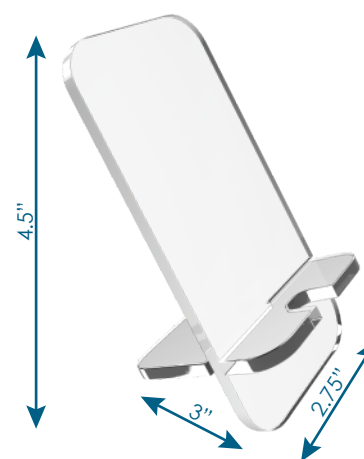
Keep text and important images within the safe area. Text and images outside of the safe area are likely to get trimmed off in finishing.

**Full Color Print Artwork:** Submit print ready artwork in vector format. Accepted file types are AI, EPS, PDF. All placed images MUST be at least 300dpi. All text must be outlined. Up to THREE PMS colors can be matched. All customer-submitted artwork must be sized at 100%.

**Clear Print Artwork:** Submit print ready artwork highly recommended in Vector Format or Transparent PNG file at 300ppi. Accepted file types are AI, EPS, PDF. All text must be outlined. Up to THREE PMS colors can be matched. All customer-submitted artwork must be sized at 100%.

Font sizes less than 6pt may not print legibly.

**Art files must be saved at with bleed:** Front: 3"x6" (WxH)  
Base: 3"x3.5" (WxH)



\*Unprinted Product View not to scale

Please select one:

Option 1

Option 2

**FULL  
COLOR  
PRINT**

**CLEAR  
PRINT**

